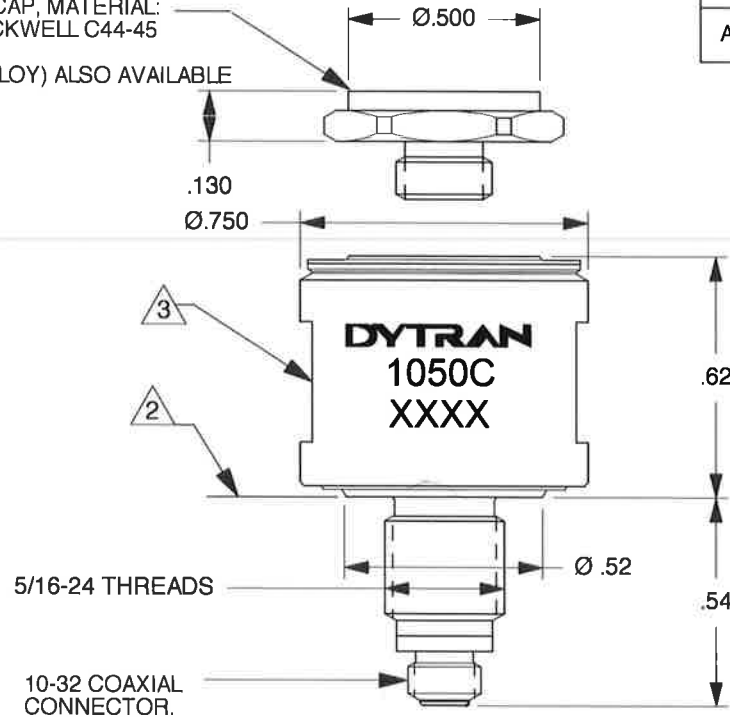
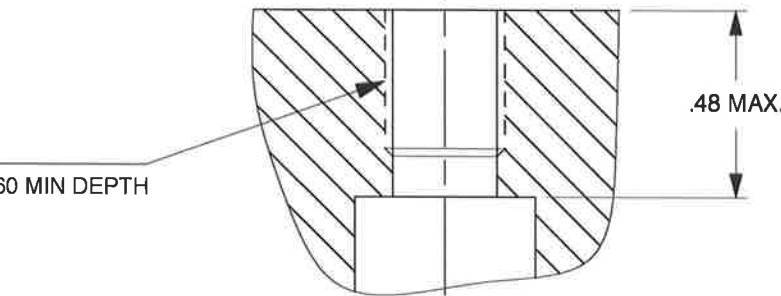


MODEL 6210S IMPACT CAP, MATERIAL:
 17-4 PH ST. STEEL, ROCKWELL C44-45
 (SUPPLIED)
 MODEL 6210A (ALUM ALLOY) ALSO AVAILABLE

REV	ECN	DESCRIPTION	BY/DATE	CHK	APPR
A	11275	ADDED MARKING	MH 01/22/16	EM	LW



↓ SENSE & DIRECTION OF
 FORCE FOR NEGATIVE GOING
 CHARGE OUTPUT



DRILL "I" (Ø.272) THRU
 TAP 5/16-24 UNF-2B X .360 MIN DEPTH
 PERFECT THREADS

- 3 WRENCH FLATS: 11/16 (.687) ACROSS FLATS X .31 HIGH.
- 2 IT IS IMPORTANT THAT BOTTOM SURFACE OF SENSOR BE IN INTIMATE CONTACT. INSPECT FOR BURRS, ETC.
- 1 PREPARE FLAT SURFACE OVER Ø.62 MINIMUM AREA BY GRINDING, SPOTFACING, LAPPING ETC. THIS AREA MUST BE FLAT WITHIN .001 TIR, TYP BOTH MODELS.

EXCEPT AS OTHERWISE NOTED

ALL DIMENSIONS IN INCHES
 TOLERANCE: .XXX = ± .XX = ±

SURFACE FINISH
 EXCEPT AS NOTED ✓

BREAK EDGES TO DEBURR
 RADIUS OR CHAMFER

△ THESE DIAS ⊙ TO T.I.R.

FILLETS - MAX RAD.

		MASTER ONLY IF IN RED		CHATSWORTH, CA.	
SCALE	2X	REV	DATE	ECN	SEE REV BLK
DATE	12/20/00	PART NO.			
DRAWN	N.C.	CHECKED	R.A.	MAT'L	
APPROVED	PML 08/17/07	NEXT ASSEMBLY		USED ON	1050C
TITLE				DWG NO.	
OUTLINE/INSTALLATION DRAWING, MODEL 1050C				127-1050C	
SHEET 1 OF 1					

Model Number 1050C	PERFORMANCE SPECIFICATION	Doc No PS1050C
Force Sensors, Charge Mode		REV A, ECN 12881, 08/15/16



- DYNAMIC FORCE SENSOR
- CHARGE MODE
- EXCELLENT LINEARITY

PHYSICAL

Weight, Max.
Connector
Housing
Sensing Element

ENGLISH		SI	
1.12	oz	32	grams
Coaxial		Coaxial	
10-32		10-32	
Stainless steel		Stainless steel	
Case grounded		Case grounded	
Quartz		Quartz	
Compression		Compression	

PERFORMANCE

Sensitivity, +/-15%
Working Compression Range
Maximum Compression
Maximum Tension [1]
Linearity [2]
Mounted Resonance (Unloaded)
Stiffness

-18	pC/Lb F	-4.05	pC/N
5000	Lbs.Force	22240	N
15000	Lbs.Force	66720	N
1000	Lbs.Force	4448	N
± 1	% F.S.	± 1	% F.S.
75	kHz	75	kHz
11.4	Lb/µin	1.97	kN/µm

ENVIRONMENTAL

Coefficient Of Thermal Sensitivity
Operating Temperature
Maximum Vibration
Maximum Shock
Environmental Seal

0.03	%/°F	0.05	%/°C
-100 to +500	°F	-73 to +260	°C
± 2500	g's,Peak	± 24500	m/s^2 Peak
10,000	g's,Peak	98,000	m/s^2 Peak
Welded/Epoxy		Welded/Epoxy	

ELECTRICAL

Capacitance, Nom
Insulation Resistance
F.S. Output Voltage

18	pF	18	pF
1.00E+12	Ω	1.00E+12	Ω
5	Volts	5	Volts

This family also includes:

Model	Sensitivity (mV/Lb)	Range (Lbs.Force)	Max.Force (Lbs.Force)	Oper. Temp(°F)

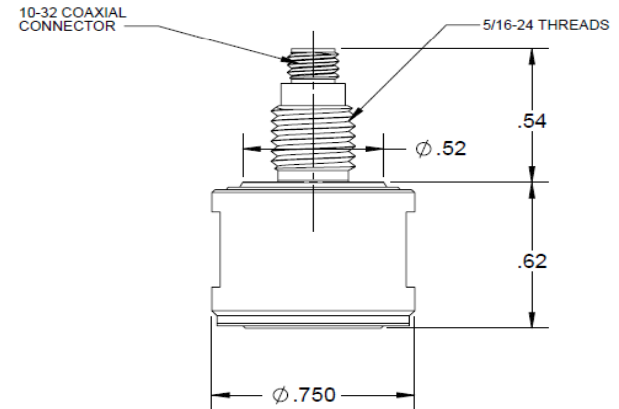
Refer to the performance specifications of the products in this family for detailed description

Supplied Accessories:

- 1) Accredited Calibration Certificate (ISO 17025)
- 2) MOD 6210 STEEL IMPACT CAP
- 3) MOD 6204 1/4-28 MOUNTING STUD

Notes:

- [1] Absolute maximum tension. Do not exceed in any case!
- [2] Percent of full scale or any lesser range, Zero based best-fit straight line method.



Units on the line drawing are in inches, units in brackets are in millimeters. Refer to 127-1050C for more information.

